

## INSTALLATION INSTRUCTIONS AND PARTS LIST

APPLICATION: MODEL **480712** (STAINLESS STEEL) SIDE ENTRY STEPS ON:  
2007 AND NEWER CHEVROLET SILVERADO AND GMC SIERRA EXTENDED CAB  
PICKUPS

APPLICATION: MODEL **481412** (STAINLESS STEEL) SIDE ENTRY STEPS ON:  
2014 AND NEWER CHEVEROLET SILVERADO AND GMC SIERRA DOUBLE CAB  
PICKUPS



### NO DRILL APPLICATION

1. READ INSTRUCTIONS COMPLETELY AND CHECK TO MAKE SURE THAT ALL REQUIRED PARTS (LISTED ON SERVICE PARTS LIST) ARE ON HAND BEFORE STARTING THE INSTALLATION.
2. ASSEMBLE THE MOUNTING BRACKETS (ITEM #8) TO THE STEP PLATE ASSEMBLYS WITH THE #10-24 X ¾" ROUND HEAD BOLTS (ITEM #13), AND THE #10-24 SERRATED FLANGE NUTS (ITEM #14), AS SHOWN IN THE DRAWING ON PAGE 2.
3. THE SIDE ENTRY STEP ASSEMBLYS SHOULD BE MOUNTED TO THE PINCH WELD AND VERTICAL WALL OF THE ROCKER PANEL AS FOLLOWS.
4. TAKE OUT THE (3) PLASTIC BODY PLUGS THAT ARE LOCATED ON THE VERTICAL WALL OF THE ROCKER PANEL AND INSERT THE U-NUT(ITEM#3) AS SHOWN THERE ARE THREE (3) LOCATIONS.
5. POSITION THE SIDE ENTRY STEP SO THAT THE HOLES IN THE BRACKET LINE UP WITH THE HOLE ON THE INSIDE WALL OF THE ROCKER PANEL.INSERT AND FINGER TIGHTEN THE UPPER BOLTS AND WASHER (ITEM#5AND#6).
6. PLACE NYLON WASHER (ITEM#4) BETWEEN THE BRKT AND THE ROCKER PANEL BOTTOM HOLE INSERT BOLT AND WASHER (ITEM#5AND #6) THOUGH THE HOLE. PLACE PINCH WELD SUPPORT BRACKET (ITEM # 16) ON TOP OF PINCH WELD AREA WITH BOLT STICKING THROUGH THE BRACKET AND PLACING A NUT (ITEM#7) ON THE BACK. PRESS SIDE ENTRY STEP DOWN AND BACK TIGHTEN BOTTOM BOLTS FIRST THEN TOP.

**TORQUE ALL BOLTS TO 65FT LBS**

## SERVICE PARTS LIST

ITEM	PART NO.	QTY	DESCRIPTION
1	551372	1	STEP PLATE-SES,RH
2	551373	1	STEP PLATE-SES,LH
1	552398	1	STEP PLATE-SES,RH
2	552397	1	STEP-PLATE-SES,LH
3	105541	6	U-NUT,5/16"-18
4	107182	6	WSHER-NYLON,312 X 1.24 X .25
5	102734	12	5/16" – FLATWASHER SST
6	100647	12	5/16" X 1.00" SCR ZP
7	102680	6	NUT SERR FLG,SST,5/16"
8	551382	6	BRKT-MTG,RH/LH-SES/MS
9	104250	2	END CAP – RH FRONT/LH REAR
10	104251	2	END CAP – LH FRONT/RH REAR
11	104255	2	TRIM – SEAL, EXTRUSION, 80.50"
12	105500	4	STEP PAD – 5.50 X 20.00
13	104258	12	BOLT – ROUND HEAD, #10-24 X ¾"
14	104261	12	NUT – SERRATED FLANGE, #10-24
15	104257	12	NUT – HEX, SINGLE THREAD
16	551666	6	BRKT-MTG,PINCH WELD SUPPORT

## INSTALLATION INSTRUCTIONS AND PARTS LIST

APPLICATION: MODEL **480712** (STAINLESS STEEL) SIDE ENTRY STEPS ON:  
**1999 TO 2007 CLASSIC CHEVROLET SILVERADO AND GMC SIERRA EXTENDED CAB  
PICKUPS**  
**DRILL APPLICATION**

1. READ INSTRUCTIONS COMPLETELY AND CHECK TO MAKE SURE THAT ALL REQUIRED PARTS (LISTED ON SERVICE PARTS LIST) ARE ON HAND BEFORE STARTING THE INSTALLATION.
2. ASSEMBLE THE MOUNTING BRACKETS (ITEM #8) TO THE STEP PLATE ASSEMBLYS WITH THE #10-24 X 3/4" ROUND HEAD BOLTS (ITEM #14), AND THE #10-24 SERRATED FLANGE NUTS (ITEM #15), AS SHOWN IN THE DRAWING ON PAGE 4.
3. THE SIDE ENTRY STEP ASSEMBLIES SHOULD BE MOUNTED TO THE PINCH WELD AND VERTICAL WALL OF THE ROCKER PANEL AS FOLLOWS.
4. CLAMP THE STEP INTO POSITION (THE STEP SHOULD BE FLUSH WITH THE BACK OF THE CAB).DRILL A (11/32") HOLE IN THE PINCH WELD AREA IN ALL THREE LOCATIONS.
5. PLACE NYLON WASHER (ITEM#4) BETWEEN BRKT AND ROCKER PANEL BOTTOM WHERE YOU JUST DRILLED AND INSERT BOLT, WASHER, NUT AND PINCH WELD SUPPORT BRACKET (ITEMS# 5, 6, 7 AND 17) TO HOLD STEP INTO PLACE WHILE MARKING THE TOP HOLE LOCATION FOR DRILLING.
6. AFTER MARKING THE TOP HOLE LOCATIONS FOR ALL THREE BRACKETS, TAKE OFF THE STEP AND DRILL THREE (7/32") HOLES.
7. PLACE THE STEP BACK UP LINING THE HOLE ON THE TOP LOCATION UP WITH THE BRACKET AND PLACE IN THE SCREW (ITEM#9) AND FINGER TIGHTEN THE SCREW. BUT NOT TOO TIGHT.TIGHTEN THE TOP SCREWS UP ALL THE WAY (**DO NOT OVER TIGHTEN**).

**TORQUE ALL BOLTS TO 65FT LBS**

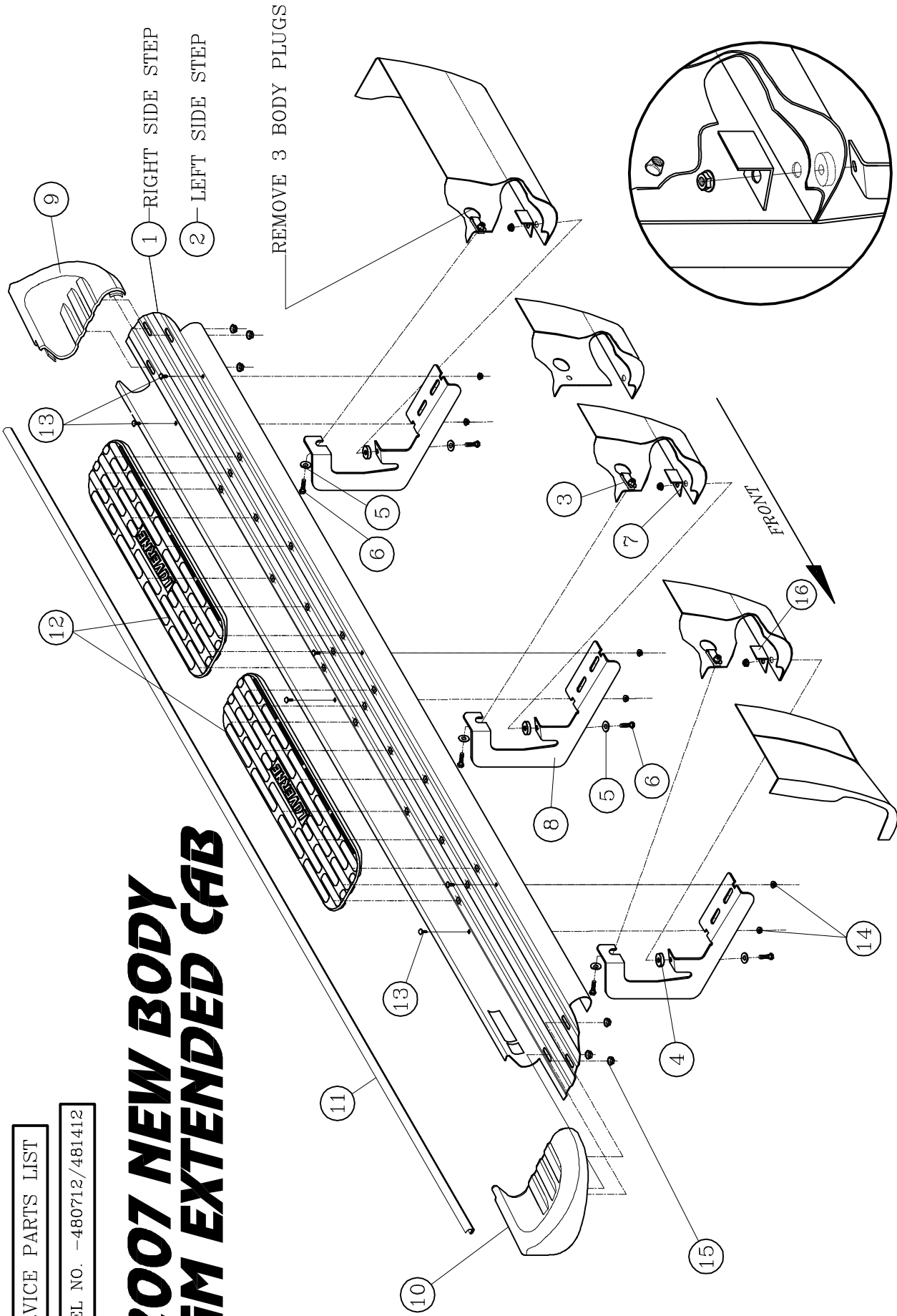
### SERVICE PARTS LIST

ITEM	PART NO.	QTY	DESCRIPTION
1	551372	1	STEP PLATE-SES,RH
2	551373	1	STEP PLATE-SES,LH
3	105541	6	U-NUT,5/16"-18
4	107182	6	WSHER-NYLON,312 X 1.24 X .25
5	102734	12	5/16" - FLATWASHER SST
6	100647	12	5/16" X 1.00" SCR ZP
7	102680	6	NUT SERR FLG,SST,5/16"
8	551382	6	BRKT-MTG, SES/MS 07 GM PKUPS
9	104267	6	5/16"X3/4" HX/W/HD-AB
10	104250	2	END CAP - RH FRONT/LH REAR
11	104251	2	END CAP - LH FRONT/RH REAR
12	104255	2	TRIM - SEAL, EXTRUSION, 80.50"
13	105500	4	STEP PAD - 5.50 X 20.00
14	104258	12	BOLT - ROUND HEAD, #10-24 X 3/4"
15	104261	12	NUT - SERRATED FLANGE, #10-24
16	104257	12	NUT - HEX, SINGLE THREAD
17	551666	6	BRKT-MTG,PINCH WELD SUPPORT

SERVICE PARTS LIST

MODEL NO. -480712/481412

# 2007 NEW BODY GM EXTENDED CAB



1 - RIGHT SIDE STEP  
2 - LEFT SIDE STEP

REMOVE 3 BODY PLUGS

PINCH WELD SUPPORT ASSEMBLY

REV C 05SEPT13  
REV B 20OCT08  
REV A 19FEB08

551379 SHEET 3 30JAN07

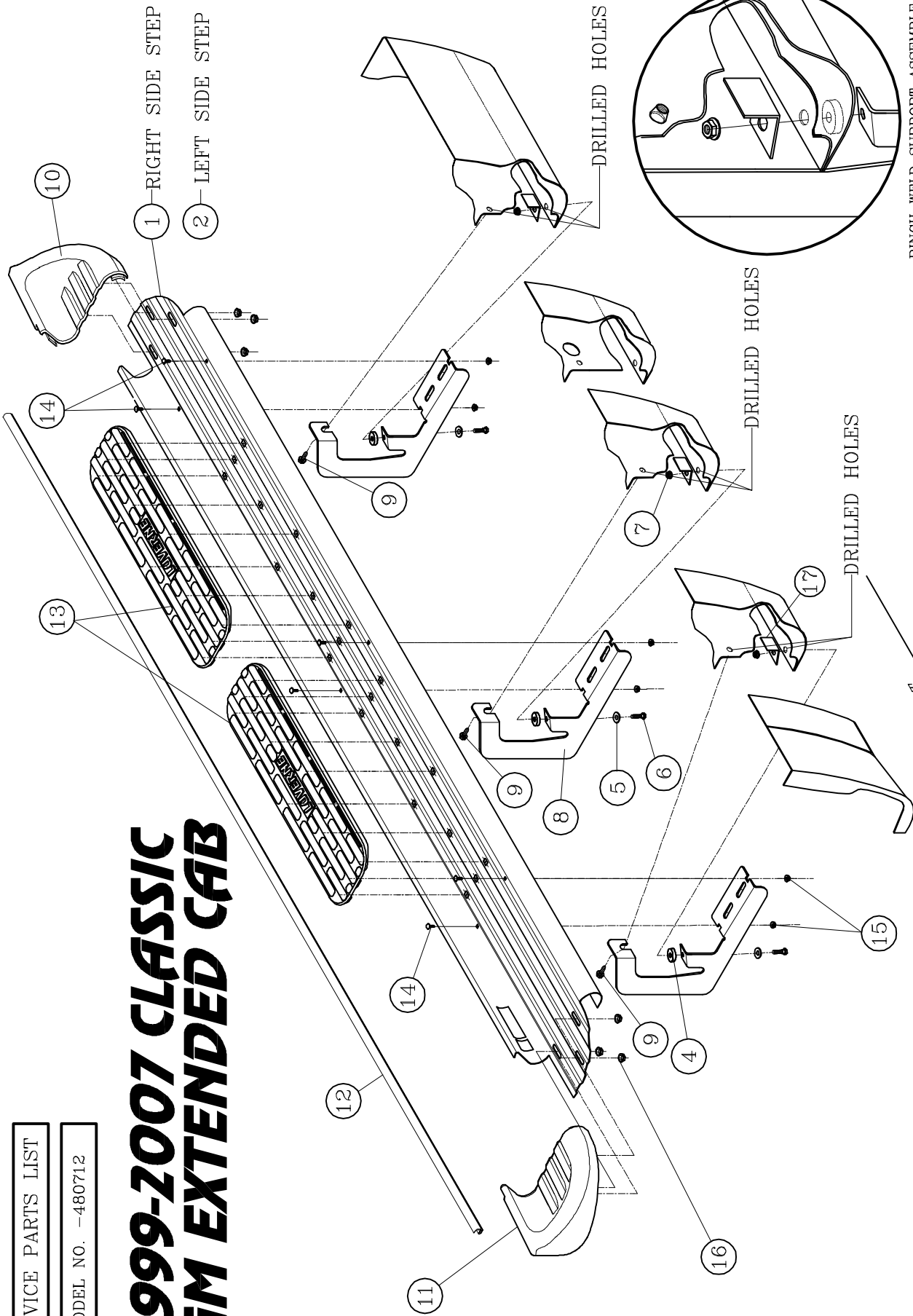
LEFT (DRIVER) SIDE SHOWN  
-RIGHT (PASSENGER) SIDE OPPOSITE-

**LIVERNE**  
TRUCK  
EQUIPMENT  
INC.  
1700 Birch Street  
Brandon, SD 57005

SERVICE PARTS LIST

MODEL NO. -480712

# 1999-2007 CLASSIC GM EXTENDED CAB



- 1 - RIGHT SIDE STEP
- 2 - LEFT SIDE STEP

PINCH WELD SUPPORT ASSEMBLY  
REV C 05SEPT13  
REV B 20OCT08  
REV A 19FEB08  
551379 SHEET 5 30JAN07

LEFT (DRIVER) SIDE SHOWN  
-RIGHT (PASSENGER) SIDE OPPOSITE-

**LIVERNE**  
TRUCK  
EQUIPMENT  
INC.  
1700 Birch Street  
Brandon, SD 57005