

## INSTALLATION INSTRUCTIONS AND PARTS LIST

APPLICATION: MODEL 480421 STAINLESS STEEL SIDE ENTRY STEPS ON:  
2004 AND NEWER FORD F-150 REGULAR CAB PICKUPS

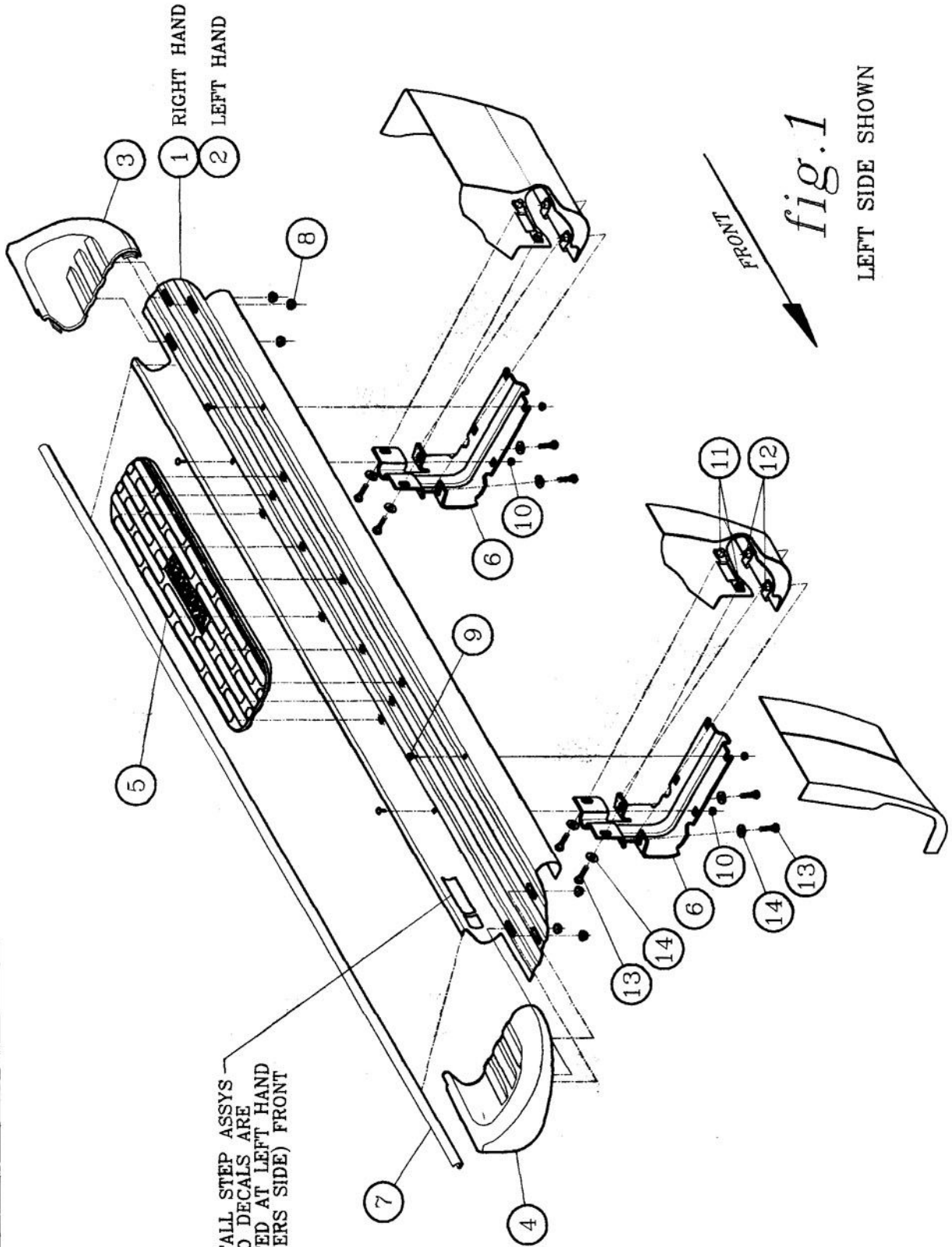
1. READ INSTRUCTIONS COMPLETELY AND CHECK TO MAKE SURE THAT ALL REQUIRED PARTS (LISTED ON SERVICE PARTS LIST) ARE ON HAND BEFORE STARTING THE INSTALLATION.
2. PEEL AWAY THE PROTECTIVE VINYL COVERING AND CLEAN THE TOP OF EACH STEP PLATE TO REMOVE ANY VINYL COVERING RESIDUE. (A GOOD GLASS CLEANER IS SUGGESTED).
3. EXISTING MOUNTING HOLE PATTERNS ARE LOCATED ON THE INTERIOR WALL AND PINCH WELD OF THE ROCKER PANEL. THESE MOUNTING HOLES MAY BE USED FOR THIS INSTALLATION PER THE FOLLOWING INSTRUCTIONS.
  - 3.1. ON THE VERTICAL WALL OF EACH ROCKER PANEL, INSTALL SHORT 5/16" MULTI THREAD U-NUTS (ITEM #11) INTO THE TWO HOLES ON EACH OF TWO MOUNTING HOLE PATTERNS. INSTALL THESE NUTS SO THAT THE THREADS ARE TO THE INSIDE OF THE ROCKER PANEL. INSERTING THE THREADED HALF OF THE U-NUT THRU THE ACCESS HOLE AND SLIDING THE U-NUT TOWARDS THE MOUNTING HOLE UNTILL THE NUT SEATS IN THE HOLE DOES THIS. **BE CAREFULL NOT TO DROP THE U-NUT INSIDE OF THE ROCKER PANEL.**
  - 3.2. ON THE PINCH WELD MOUNTING HOLE PATTERNS, INSTALL LONG U-NUTS (ITEM #12) INTO EACH HOLE SO THAT THE THREADS ARE TO THE TOPSIDE OF THE PINCH WELD.
  - 3.3. POSITION THE STEP ASSEMBLY UP UNDER THE ROCKER PANEL SO THAT THE HOLES IN THE MOUNTING BRACES (ITEM #6) MATCH THE U-NUTS IN THE MOUNTING HOLE PATTERNS. INSTALL 5/16" X 1.00" HEX HEAD CAP SCREWS (ITEM #14) WITH FLAT WASHER (ITEM #15) THRU THE HOLES IN THE BRACE AND INTO THE U-NUTS IN THE ROCKER PANEL.
  - 3.4. LEVEL THE STEP BY SLIDING THE STEP ASSEMBLY IN OR OUT ON THE OBOUNDED HOLES OF THE BRACE AND TIGHTEN THE SCREWS TO 20 LB FT.

### SERVICE PARTS LIST

ITEM	PART NO.	QTY	DESCRIPTION
1	549783	1	STEP PLATE-SES,RH,FORD F-150,REGULAR CAB
2	549784	1	STEP PLATE-SES,LH,FORD F-150,REGULAR CAB
3	104250	2	END CAP-RH FRONT/LH REAR
4	104251	2	END CAP-LH FRONT/RH REAR
5	105500	2	PAD,MLD,STEP PLATE,20.00"
6	549785	4	BRACE-MOUNTING,SES,RH/LH,FORD F-150
7	104255	2	TRIM-SEAL,SES,EXTRUDED,80.50"
8	104257	12	NUT-HEX,SGL SELF THD,CAP WASHER,1/4"
9	104258	8	BOLT-CARRIAGE,SST,#10-24 X 3/4"LG
10	104261	8	NUT-SERRATED FLANGE,HEX,SST,#10-24
11	104264	8	NUT-U,MULTI THD,SHORT,STL,5/16-18 UNC
12	105541	8	NUT-U,MULTI THD,LONG,STL,5/16-18 UNC
13	100647	16	SCREW-HEX HD CAP,5/16-18UNC X 1.00",ZP
14	100034	16	WASHER-FLAT,5/16",ZP

SERVICE PARTS LIST

MODEL NO. - 480421



INSTALL STEP ASSYS  
SO DECALS ARE  
LOCATED AT LEFT HAND  
(DRIVERS SIDE) FRONT