

INSTALLATION INSTRUCTIONS AND PARTS LIST



**APPLICATION: MODEL 480463 STAINLESS STEEL SIDE ENTRY STEPS ON:
2004 AND NEWER NISSAN TITAN CREW CAB**

1. READ INSTRUCTIONS COMPLETELY AND CHECK TO MAKE SURE THAT ALL REQUIRED PARTS (LISTED ON SERVICE PARTS LIST) ARE ON HAND BEFORE STARTING THE INSTALLATION.
2. PEEL AWAY THE PROTECTIVE VINYL COVERING AND CLEAN THE TOP OF EACH STEP PLATE TO REMOVE ANY VINYL COVERING RESIDUE. (A GOOD GLASS CLEANER IS SUGGESTED).
3. EXISTING MOUNTING HOLE PATTERNS ARE LOCATED THROUGH THE ROCKER PANEL.
4. THE STEP ASSEMBLIES MUST BE MOUNTED TO THE INBOARD SLOPED SURFACE OF THE ROCKER PANEL PER THE FOLLOWING INSTRUCTIONS.
 - 4.1. POSITION THE STEP ASSEMBLY (ITEM #1 THRU #11) UP UNDER THE ROCKER PANEL SO THAT HOLES IN THE BRACE, LINE UP WITH BOTH THE THREADED STUD AND THE THREADED HOLE. INSERT THE M8 X 1.25 X 25MM BOLTS (ITEM #12) AND THE 5/16 FLAT WASHERS (ITEM #13) THROUGH THE BRACE AND INTO THE THREADED HOLE IN THE (4) BRACE LOCATIONS. (TORQUE THESE BOLTS TO 19 FT. LB FT.)
 - 4.2. USING THE UPPER HOLES IN THE BRACES, ATTACH M8 NUT (ITEM #14), AND THE 5/16 FLAT WASHER (ITEM #13). (TORQUE THESE BOLTS TO 19 FT. LB FT.)

SERVICE PARTS LIST

ITEM	PART NO.	QTY	DESCRIPTION
1	549867	1	STEP PLATE-SES, RH, 480463
2	549868	1	STEP PLATE-SES, LH, 480463
3	549864	8	BRACE-SUPPORT,SES,RH/LH,480462/480463
4	104250	2	END CAP-RH FRONT/LH REAR
5	104251	2	END CAP-LH FRONT/RH REAR
6	105500	4	PAD,STEP PLATE,20.00"
7	102502	2	TRIM-SEAL,SES,EXTRUDED, 95.0"
8	104257	12	NUT-HEX,SGL SELF THD,CAP WASHER,1/4"
9	104258	12	BOLT-CARRIAGE,SST,#10-24 X 3/4"LG
10	104259	4	BOLT-CARRIAGE,SST,CLIPPED,#10-24 X 3/4"LG
11	104261	16	NUT-SERRATED FLANGE,HEX,SST,#10-24
12	102549	8	SCR-HH, M8X1.25X25MM, ZP
13	100034	16	WSHR-FL, 5/16, ZP
14	105859	8	NUT-SER FLANGE M8 X 1.25, ZP

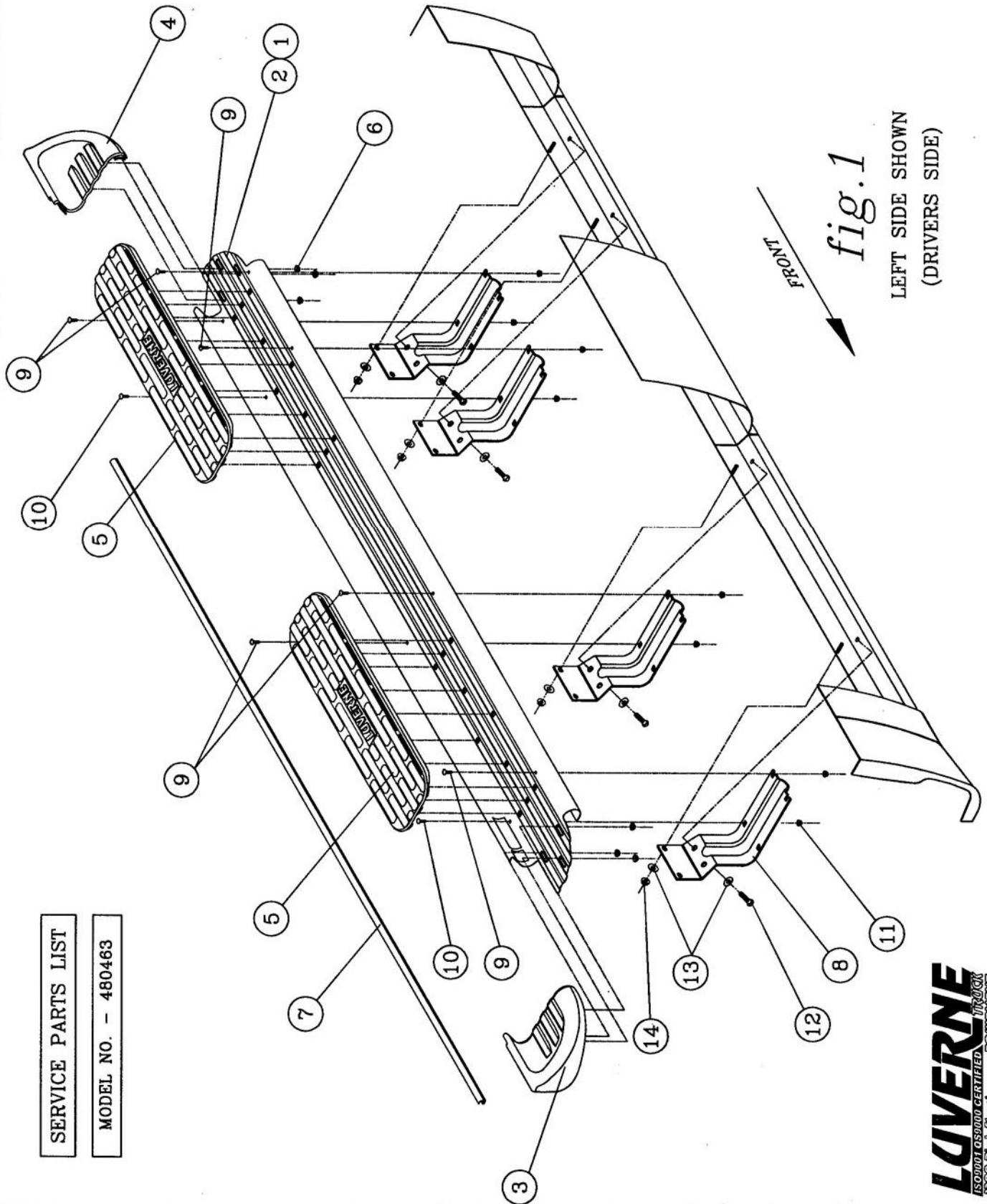


fig. 1

LEFT SIDE SHOWN
(DRIVERS SIDE)

SERVICE PARTS LIST

MODEL NO. - 480463

LIVERNE
ISO9001 CERTIFIED TRUCK EQUIPMENT
INC.
1700 Birch Street
Boulder, CO 80506