

INSTALLATION INSTRUCTIONS AND PARTS LIST

FOR MOUNTING 480714 LONG BOX DUALY EXTENSION SIDE ENTRY STEPS ON: 2007 -2010 CHEVROLET SILVERADO & GMC SIERRA HEAVY DUTY PICKUPS

1. READ INSTRUCTIONS COMPLETELY AND CHECK TO MAKE SURE THAT ALL REQUIRED PARTS (LISTED ON SERVICE PARTS LIST) ARE ON HAND BEFORE STARTING THE INSTALLATION.
2. PEEL AWAY THE PROTECTIVE VINYL COVERING AND CLEAN THE TOP OF EACH STEP PLATE TO REMOVE ANY VINYL COVERING RESIDUE. A GOOD GLASS CLEANER IS SUGGESTED.
3. ASSEMBLE THE SIDE STEP EXTENSIONS AS FOLLOWS.
 - 3.1 ASSEMBLE THE FRONT AND REAR RIGHT HAND BRACKET TUBES (ITEMS #8 & #10) TO THE BRACKET LOOP (ITEM #7) USING THE 1/4"-20 X 2-3/4" HEX BOLTS (ITEM #25) AND 1/4"-20 NY-LOCK NUTS (ITEM #26) AS SHOWN IN FIG.1.
 - 3.2 ATTACH THE STEP PLATE ASSY (ASSEMBLED ITEMS #1, #3, #12 #13 & #19) TO THE MOUNTING BRACKET TUBES (ITEMS #8 & #10) USING THE #10-24 X 1-1/2" CARRIAGE BOLTS (ITEM #27), NEOPRENE WASHERS (ITEM #30) AND #10-24 FLANGE NUTS (ITEM #29) AS SHOWN IN FIG. 1.
 - 3.3 ATTACH THE REAR MOUNTING BRACE (ITEM #18) TO THE STEP PLATE USING THE #10-24 X 3/4" CARRIAGE BOLTS (ITEM #28), NEOPRENE WASHERS (ITEM #30) AND THE #10-24 FLANGE NUTS (ITEM #29) AS SHOWN IN FIG. 1.
4. INSTALL THE 3/8"-16 MULTI U-NUT (ITEM #21) IN THE HOLE IN THE END OF THE FRONT CROSS-MEMBER. SEE FIG. 1.
5. REMOVE TWO FACTORY BOLTS (18mm WRENCH) THAT SECURE THE BOX TO THE FRAME AND THE TOP FACTORY BOLT (13mm WRENCH) FROM THE BOX ROCKER PANEL STIFFENER BRACE.
6. ATTACH THE UPPER MOUNTING BRACKETS TO THE BOX CROSS-MEMBERS AS FOLLOWS: ATTACH (ITEM #5) TO THE FRONT CROSSMEMBER USING THE 3/8"-16 X 1-1/4" HEX BOLT (ITEM #22), 3/8" FLAT WASHER (ITEM #23) AND 3/8" LOCK WASHER (ITEM #24) UP THRU THE OBOURND HOLE IN THE MOUNTING BRACKET AND INTO THE U-NUT (ITEM #21). INSTALL THE REAR MOUNTING BRACKET (ITEM #6) ON TO THE END OF THE REAR BOX CROSS-MEMBER BY REINSTALLING THE FACTORY FASTENER REMOVED IN STEP 5. (LEAVE THESE FASTENERS FINGER TIGHT ONLY).
7. INSTALL THE RIGHT HAND MUD SHIELD (ITEM #16) TO THE LOWER FLANGE OF THE OUTSIDE BOX PANEL. (NOTE: NOTCHED TO CLEAR FENDER BRACE RODS.) BECAUSE OF THE WARPING OF THE MUD SHIELD INTO AN ARC IT MAY BE NECESSARY TO SECURE THE ENDS OF THE MUD SHIELD TO THE FENDER PANEL WITH THE #8 X 1 TEK SCREWS (ITEM #33) PROVIDED IN THE FASTENER PACKAGE. USE ONE ON EACH END APPROXAMATELY 1/2" IN FROM EACH END. PRE-DRILL A 1/8" DIAMETER HOLE FOR THE SCREW.
8. SLIDE THE STEP ASSEMBLY UNDER THE TRUCK TOWARDS THE FRONT OF THE BOX. RAISE THE ASSEMBLY UP AND MOVE IT TOWARDS THE REAR UNTIL IT IS IN POSITION TO ATTACH TO THE MOUNTING POINTS AS SHOWN IN FIGURE #1.
9. RE-INSTALL THE TWO FACTORY BOX HOLD DOWN BOLTS. INSTALL 5/16"-18 X 1.00" CARRIAGE BOLTS (ITEM #31) THRU THE SLOTTED HOLES IN THE UPPER MOUNTING BRACKETS AND THE FLAT SWAGES OF THE BRACKET LOOP. NUT WITH 5/16"-18 SERRATED FLANGE NUTS (ITEM #32).
10. ATTACH THE MUD GUARD TRIM (ITEM #20) TO THE MUD GUARD (ITEM #14) AS SHOWN. USING THE TWO (2) FACTORY SCREWS FROM THE FRONT OF THE REAR FENDER (USE A T30 TORX WRENCH) INSTALL THE REAR MUD GUARD TO THE WHEEL WELL FLANGE. THEN, ATTACH THE MUD GUARD TO THE REAR SUPPORT BRACE WITH #10 X 3/4" CARRIAGE BOLTS (ITEM #28) AND #10 SERRATED FLANGE NUTS (ITEM #29). LEVEL THE STEP PLATE AND TIGHTEN ALL FASTENERS.
11. REPEAT STEPS #3 THRU #10 TO INSTALL THE STEP ON THE LEFT SIDE OF THE VEHICLE.



1200 E. Birch St.

Brandon, SD 57005

REVISION LEVEL A 04FEB11
550143 SHEET 1 OF 5 23JUL07

SERVICE PARTS LIST

ITEM	PART NO.	QTY	DESCRIPTION
1	550132	1	STEP PLATE - SES, RH,480714
2	550133	1	STEP PLATE - SES, LH,480714
3	104250	1	END CAP-RH FRONT/LH REAR
4	104251	1	END CAP-LH FRONT/RH REAR
5	549387	2	BRACKET-MTG,UPPER,209918 SER
6	550138	2	BRACKET-MTG,UPPER,480714
7	549389	2	BRACKET LOOP - RH/LH, 209918
8	549432	1	BRACKET TUBE - MOUNTING, FRONT, RH, 209918SB
9	549433	1	BRACKET TUBE - MOUNTING, FRONT, LH, 209918SB
10	549398	1	BRACKET TUBE - MOUNTING, REAR, RH, 200118CD
11	549399	1	BRACKET TUBE - MOUNTING, REAR, LH, 200118CD
12	105500	2	PAD- MOLDING, STEP PLATE, 5.50 X 20.00" LG
13	104255	1	TRIM- SEAL, EXTRN, 80.50" LG
14	550136	1	MUD GUARD - RH, GM, SES, DUALY EXT
15	550137	1	MUD GUARD - LH, GM, SES, DUALY EXT
16	550139	1	SHIELD- MUD, RH,480714
17	550140	1	SHIELD- MUD, LH,480714
18	549412	2	BRACE- SUPPORT, REAR, RH/LH, GM, LB, SES, DUALY
19	104257	6	NUT-HEX, SINGLE SELF THDG, CAP WASHER, 1/4"
20	544070	2	TRIM- MUD GUARD, 33.00" LG
21	104282	2	NUT - U, MULTI THD, 3/8"-16
22	100047	2	SCREW - CAP, HEX HEAD, 3/8"-16 X 1-1/4"
23	100062	2	WASHER - FLAT, 3/8"
24	100059	2	WASHER - LOCK, 3/8"
25	104391	4	SCREW - CAP, HEX HD, 1/4"-20 X 2-3/4", ZP
26	102375	4	NUT - HEX, NY-LOCK, 1/4"-20, ZP
27	104389	10	BOLT-CARRIAGE, SST, #10-24 X 1-1/2"
28	104258	12	BOLT-CARRIAGE, SST, #10-24 X 3/4"
29	104261	22	NUT - SERR FLANGE, HEX, SST, #10-24 UNC
30	104530	16	WASHER - FLAT, NEOPRENE, .200 SQ X Ø.468
31	100021	8	BOLT-CARRIAGE,5/16"-18 UNC X 1.00",STL,ZP
32	100178	8	NUT-SERR FLG,HEX,5/16"-18,STL,ZP
33	103435	4	SCREW - TEK, SEMS, OVAL, XREC, #8 X 1, BLACK
34	105909	6	WASHER FLAT, 2.00 X .509 X .179, ZP
35	100081	2	WASHER FLAT, 7/16, ZP
36	103437	2	SCR-HEX HD,M12 X 1.75 X 40MM,ZP
37	100062	2	WASHER FLAT, 3/8, ZP
38	102549	2	SCR-HHC, M8 X 1.25 X 25MM 10.9, ZP
39	550173	2	BRKT-MTG, UPPER SES 2011 GM HD



(A LIVERNE Company)

1200 E. Birch St.

Brandon, SD 57005

REVISION LEVEL A 04FEB11
550143 SHEET 2 OF 5 23JUL07

**FOR MOUNTING 480714 LONG BOX DUALY EXTENSION SIDE ENTRY STEPS ON:
2011 CHEVROLET SILVERADO & GMC SIERRA HEAVY DUTY PICKUPS**

1. ASSEMBLE THE FRONT AND REAR RIGHT HAND BRACKET TUBES (ITEMS #8 & #10) TO THE BRACKET LOOP (ITEM #7) USING THE ¼"-20 X 2-3/4" HEX BOLTS (ITEM #25) AND ¼"-20 NY-LOCK NUTS (ITEM #26) AS SHOWN IN FIG.1.
- 1.1 ATTACH THE STEP PLATE ASSY (ASSEMBLED ITEMS #1, #3, #12 #13 & #19) TO THE MOUNTING BRACKET TUBES (ITEMS #8 & #10) USING THE #10-24 X 1-1/2" CARRIAGE BOLTS (ITEM #27), NEOPRENE WASHERS (ITEM #30) AND #10-24 FLANGE NUTS (ITEM #29) AS SHOWN IN FIG. 1.
- 1.2 ATTACH THE REAR MOUNTING BRACE (ITEM #18) TO THE STEP PLATE USING THE #10-24 X 3/4" CARRIAGE BOLTS (ITEM #28), NEOPRENE WASHERS (ITEM #30) AND THE #10-24 FLANGE NUTS (ITEM #29) AS SHOWN IN FIG. 1.
2. INSTALL THE 3/8"-16 MULTI U-NUT (ITEM #21) IN THE HOLE IN THE END OF THE FRONT CROSS-MEMBER. SEE FIG. 1.
3. REMOVE TWO FACTORY BOLTS (18mm WRENCH) THAT SECURE THE BOX TO THE FRAME AND THE TOP FACTORY BOLT (13mm WRENCH) FROM THE BOX ROCKER PANEL STIFFENER BRACE.
4. ATTACH THE UPPER MOUNTING BRACKETS TO THE BOX CROSS-MEMBERS AS FOLLOWS: ATTACH (ITEM #5) TO THE FRONT CROSSMEMBER USING THE 3/8"-16 X 1-1/4" HEX BOLT (ITEM #22), 3/8" FLAT WASHER (ITEM #23) AND 3/8" LOCK WASHER (ITEM #24) UP THRU THE OBOUNDED HOLE IN THE MOUNTING BRACKET AND INTO THE U-NUT (ITEM #21). INSTALL THE REAR MOUNTING BRACKET (ITEM #39) ON TO THE END OF THE REAR BOX CROSS-MEMBER BY INSTALLING BOLT AND WASHER (ITEMS #37 & #38) INTO THE THREADED HOLE IN BOX CROSS-MEMBER AS SHOWN. (LEAVE THESE FASTENERS FINGER TIGHT ONLY).
5. INSTALL THE RIGHT HAND MUD SHIELD (ITEM #16) TO THE LOWER FLANGE OF THE OUTSIDE BOX PANEL. (NOTE: NOTCHED TO CLEAR FENDER BRACE RODS.) BECAUSE OF THE WARPING OF THE MUD SHIELD INTO AN ARC IT MAY BE NECESSARY TO SECURE THE ENDS OF THE MUD SHIELD TO THE FENDER PANEL WITH THE #8 X 1 TEK SCREWS (ITEM #33) PROVIDED IN THE FASTENER PACKAGE. USE ONE ON EACH END APPROXAMATELY ½" IN FROM EACH END. PRE-DRILL A 1/8" DIAMETER HOLE FOR THE SCREW.
6. SLIDE THE STEP ASSEMBLY UNDER THE TRUCK TOWARDS THE FRONT OF THE BOX. RAISE THE ASSEMBLY UP AND MOVE IT TOWARDS THE REAR UNTIL IT IS IN POSITION TO ATTACH TO THE MOUNTING POINTS AS SHOWN IN FIGURE #1.
7. RE-INSTALL THE FRONT FACTORY BOX HOLD DOWN BOLT. INSTALL 5/16"-18 X 1.00" CARRIAGE BOLTS (ITEM #31) THRU THE SLOTTED HOLES IN THE UPPER MOUNTING BRACKETS AND THE FLAT SWAGES OF THE BRACKET LOOP AND NUT WITH 5/16"-18 SERRATED FLANGE NUTS (ITEM #32). ON REAR PLACE (3) WASHERS (ITEM # 34) BETWEEN BRACKET AND BOX MOUNT USES BOLT & WASHER (ITEMS # 35 & 36) AS SHOWN.
8. ATTACH THE MUD GUARD TRIM (ITEM #20) TO THE MUD GUARD (ITEM #14) AS SHOWN. USING THE TWO (2) FACTORY SCREWS FROM THE FRONT OF THE REAR FENDER (USE A T30 TORX WRENCH) INSTALL THE REAR MUD GUARD TO THE WHEEL WELL FLANGE. THEN, ATTACH THE MUD GUARD TO THE REAR SUPPORT BRACE WITH #10 X ¾" CARRIAGE BOLTS (ITEM #28) AND #10 SERRATED FLANGE NUTS (ITEM #29). LEVEL THE STEP PLATE AND TIGHTEN ALL FASTENERS.
9. REPEAT STEPS #3 THRU #10 TO INSTALL THE STEP ON THE LEFT SIDE OF THE VEHICLE.



(A LIVERNE Company)

1200 E. Birch St.

Brandon, SD 57005

REVISION LEVEL A 04FEB11
550143 SHEET 3 OF 5 23JUL07

2011 AND NEWER DUALLY TRUCKS

SERVICE PARTS LIST
MODEL NO. - 480714

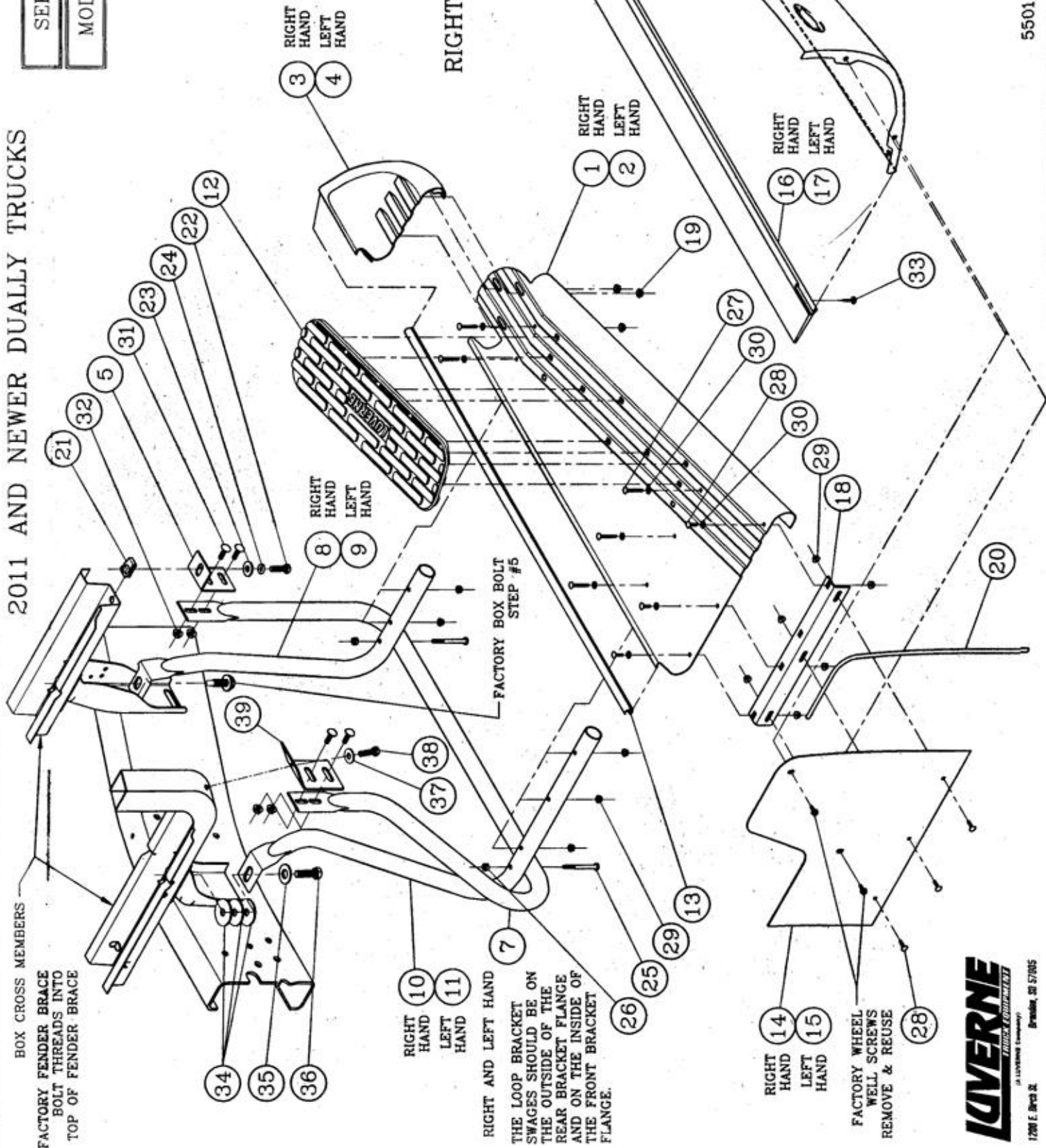


fig.1
RIGHT SIDE SHOWN

THE LOOP BRACKET SWAGES SHOULD BE ON THE OUTSIDE OF THE REAR BRACKET FLANGE AND ON THE INSIDE OF THE FRONT BRACKET FLANGE.

FACTORY WHEEL WELL SCREWS REMOVE & REUSE

SERVICE PARTS LIST

MODEL NO. - 480714

fig.1

RIGHT SIDE SHOWN

