

## INSTALLATION INSTRUCTIONS AND PARTS LIST

### STAINLESS STEEL SIDE ENTRY STEPS:

480932 2009 AND NEWER DODGE RAM QUAD CAB PICKUPS

480933 2009 AND NEWER DODGE RAM CREW CAB PICKUPS

1. READ INSTRUCTIONS COMPLETELY AND CHECK TO MAKE SURE THAT ALL REQUIRED PARTS (LISTED ON SERVICE PARTS LIST) ARE ON HAND BEFORE STARTING THE INSTALLATION.
2. EXISTING MOUNTING HOLES ARE LOCATED ON THE INTERIOR WALL OF THE ROCKER PANEL. THESE MOUNTING HOLES WILL BE USED PER THE FOLLOWING INSTRUCTIONS.
3. ON THE VERTICAL WALL OF EACH ROCKER PANEL, INSTALL THE T-BOLT WELMENT (ITEM #13) INTO THE LARGE OBOURND HOLE AND FISH THE OTHER END THROUGH THE LOWER HEX HOLE. (FOR THE FRONT BRACKET, USE THE LOWER REAR HOLE. FOR THE BACK BRACKET USE THE LOWER FORWARD HOLE AS SHOWN.) **BE CAREFULL NOT TO DROP THE T-BOLT INSIDE OF THE ROCKER PANEL.** ATTACH THE FLAT NYLON WASHER (ITEM #15) TO THE THREADED END OF EACH BOLT. (THIS IS TO BE USED AS A RETAINER.)
4. INSTALL THE BRACKETS (ITEM #, 6, 7, 8) TO THE TRUCK AS SHOWN SO THAT THE HOLES IN THE BRACKETS LINE UP WITH THE THREADED STUDS ON THE INSIDE WALL OF THE ROCKER PANEL. INSTALL THE 3/8-16 SERRATED FLANGE NUTS (ITEM #14). HAND TIGHTEN.
5. POSITION THE STEP ON TOP OF THE BRACKETS. ASSEMBLE WITH THE 10-24 X 3/4" ROUND HEAD BOLTS (ITEM #11), AND THE 10-24 FLANGE NUTS (ITEM #12), AS SHOWN. TIGHTEN THESE BOLTS. **NOTE: THAT ON THE REAR PAINTED BRACKET YOU WILL NEED TO PLACE A NEOPRENE WASHER (ITEM #16) BETWEEN THE TOP OF THE BOARD, AND THE HEAD OF THE CARRIAGE BOLT.**

TIGHTEN ALL THE 3/8" NUTS TO 20 LB FT.

### SERVICE PARTS LIST

ITEM	PART NO.	QTY	DESCRIPTION
1	550159	1	STEP PLATE-SES,RH, DODGE RAM QUAD
2	550160	1	STEP PLATE-SES,LH, DODGE RAM QUAD
1	550161	1	STEP PLATE-SES,RH, DODGE RAM CREW
2	550162	1	STEP PLATE-SES,LH, DODGE RAM CREW
3	104250	2	END CAP-RH FRONT/LH REAR
4	104251	2	END CAP-LH FRONT/RH REAR
5	105500	4	PAD,MLD,STEP PLATE,20.00"
6	550144	4	BRACE-MOUNTING,SES,RH/LH,FRONT,GALV.
7	550165	1	BRACE-MOUNTING,SES,RH,REAR,BLACK
8	550166	1	BRACE-MOUNTING,SES, LH,REAR,BLACK
9	104255	2	TRIM-SEAL,SES,EXTRUDED,80.50"
10	104257	12	NUT-HEX,SGL SELF THD,CAP WASHER,1/4"
11	104258	12	BOLT-CARRIAGE,SST,#10-24 X 3/4"LG
12	104261	12	NUT-SERRATED FLANGE,HEX,SST,#10-24
13	550147	6	T-BOLT WELDMENT, ZP
14	100181	12	NUT-SERRATED FLANGE,HEX,3/8-16,ZP
15	108442	12	WASHER-NYLON,.360 X 1.50 X .032
16	104830	4	WASHER-NEOPRENE, .20 X .463 X .03, BLACK



(A LIVERNE Company)

1200 E. Birch St.

Brandon, SD 57005

REV B 20AUG10

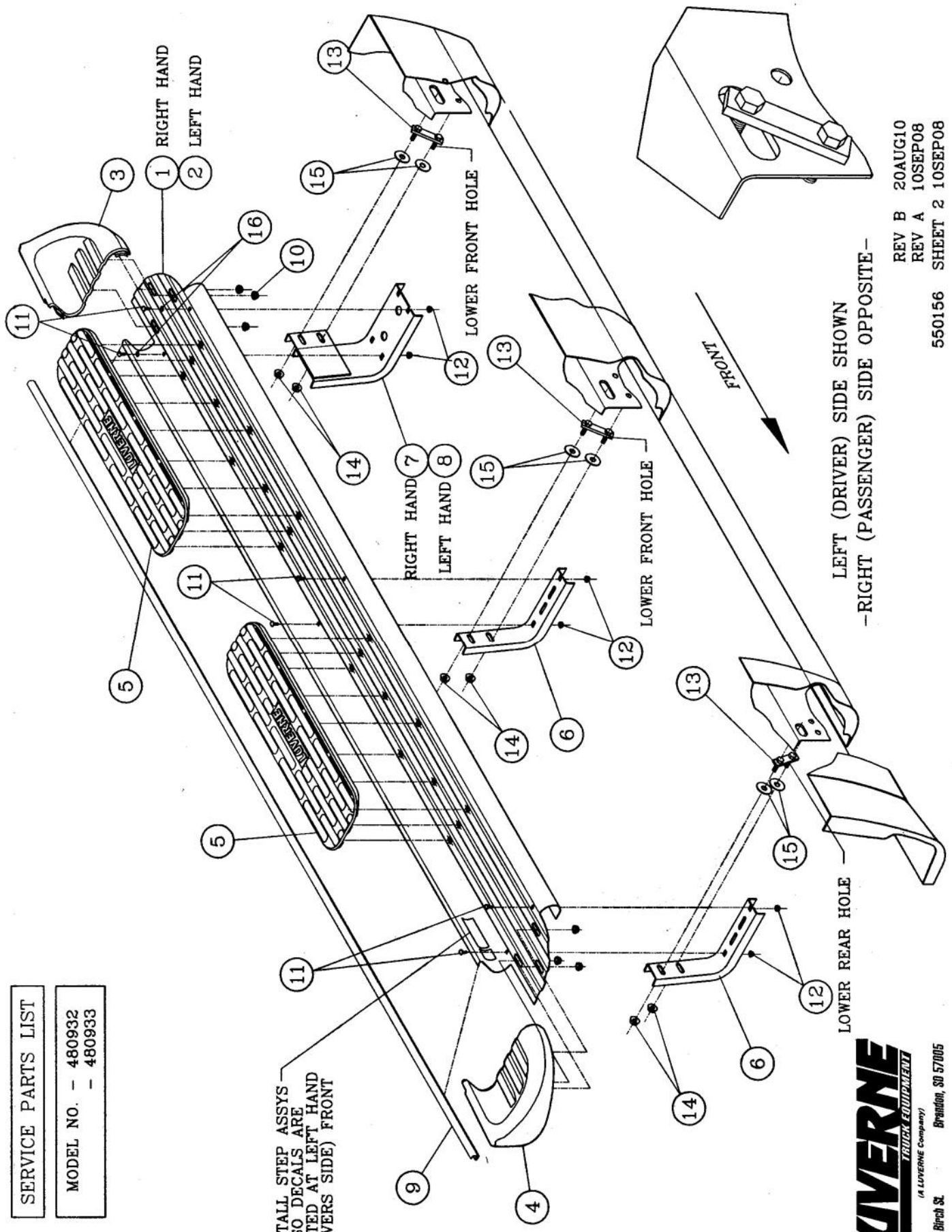
REV A 29JAN09

550156 SHEET 1 OF 3 10SEP08

SERVICE PARTS LIST

MODEL NO. - 480932  
 - 480933

INSTALL STEP ASSYS  
 SO DECALS ARE  
 LOCATED AT LEFT HAND  
 (DRIVERS SIDE) FRONT



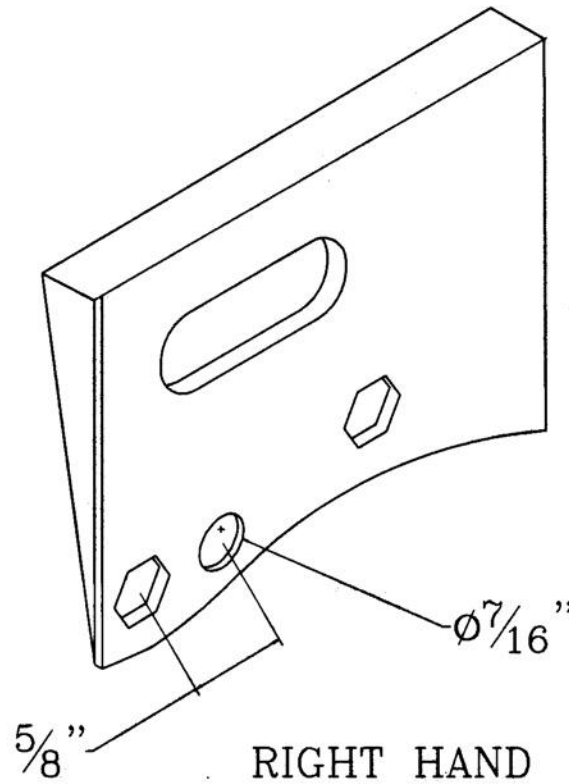
LEFT (DRIVER) SIDE SHOWN  
 -RIGHT (PASSENGER) SIDE OPPOSITE-

REV B 20AUG10  
 REV A 10SEP08  
 550156 SHEET 2 10SEP08

**LOVERNE**  
 TRUCK EQUIPMENT  
 (A LOVERNE Company)  
 1200 E. Birch St.  
 Bradford, SD 57005

NOTE THAT DUE TO VARIATIONS IN THE DODGE QUAD CAB TRUCKS, IT MAY REQUIRE DRILLING A  $\frac{7}{16}$ " DIA HOLE  $\frac{5}{8}$ " BEHIND THE FORWARD HEX HOLE IN THE REAR BRACKET LOCATION.

SEE BELOW:



**LIVERNE**  
TRUCK EQUIPMENT  
(A LIVERNE Company)

1200 E. Birch St.

Brandon, SD 57005

REV B 20AUG10  
REV A 29JAN09  
550156 SHEET 3 29JAN09