

## INSTALLATION INSTRUCTIONS AND PARTS LIST

APPLICATION: MODEL 200231 STAINLESS STEEL SIDE ENTRY STEPS ON:  
2002 AND NEWER DODGE RAM 1500 REGULAR CAB PICKUPS

1. READ INSTRUCTIONS COMPLETELY AND CHECK TO MAKE SURE THAT ALL REQUIRED PARTS (LISTED ON SERVICE PARTS LIST) ARE ON HAND BEFORE STARTING THE INSTALLATION.
2. PEEL AWAY THE PROTECTIVE VINYL COVERING AND CLEAN THE TOP OF EACH STEP PLATE TO REMOVE ANY VINYL COVERING RESIDUE. (A GOOD GLASS CLEANER IS SUGGESTED).
3. THE STEP ASSEMBLIES MUST BE MOUNTED TO THE PINCH WELD AND INBOARD VERTICAL SURFACE OF THE ROCKER PANEL PER THE FOLLOWING INSTRUCTIONS.
  - 3.1. FROM FRONT TO REAR, REMOVE RUBBER PLUGS FROM THE #4 & #5 ACCESS HOLES ON THE INBOARD VERTICAL WALL OF THE ROCKER PANEL.
  - 3.2. POSITION THE STEP ASSEMBLY (ITEM #1 THRU #11) UP UNDER THE ROCKER PANEL SO THAT THE FRONT END CAP IS JUST BEHIND THE HEAD OF THE FACTORY BOLT ON THE BOTTOM OF THE ROCKER PANEL.
  - 3.3. PUSH THE STEP ASSEMBLY SNUG UP UNDER THE ROCKER PANEL, LEVEL THE STEP PLATE AND CLAMP THE BRACES (ITEM #3) TO THE PINCH WELD.
  - 3.4. MARK THE CENTER OF THE BRACE'S BOTTOM HOLES ON THE PINCH WELD AND THEN DRILL PILOT HOLES AND 17/64" DIA. HOLES THRU THE PINCH WELD. (LOCATE THESE HOLES AS CLOSE TO CENTER AS IS PRACTICAL ON THE FLAT PORTION OF THE PINCH WELD).
  - 3.5. INSTALL 5/16" X 3/4" HEX WASHER HEAD THREAD FORMING SCREWS (ITEM #12). (TORQUE THESE SCREWS TO 15 LB. FT.).
  - 3.6. USING THE UPPER HOLES IN THE BRACE AS A PILOT, DRILL PILOT HOLES AND 17/64" DIA. HOLES THRU THE VERTICAL WALL OF THE ROCKER PANEL.
  - 3.7. INSTALL 5/16" X 3/4" HEX WASHER HEAD THREAD FORMING SCREWS (ITEM #12) AS SHOWN. (BEING CAREFUL NOT TO OVER TIGHTEN, TORQUE THESE SCREWS TO APPROX. 10 LB. FT.).

### SERVICE PARTS LIST

ITEM	PART NO.	QTY	DESCRIPTION
1	550955	1	STEP PLATE-SES,RH,DODGE RAM,REGULAR CAB
2	550957	1	STEP PLATE-SES,LH,DODGE RAM,REGULAR CAB
3	550958	6	BRACE-SUPPORT,SES,RH/LH,DODGE RAM
4	104250	2	END CAP-RH FRONT/LH REAR
5	104251	2	END CAP-LH FRONT/RH REAR
6	102600	2	PAD,STEP PLATE,20.00"
7	104256	2	TRIM-SEAL,SES,EXTRUDED
8	104257	12	NUT-HEX,SGL SELF THD,CAP WASHER,1/4"
9	104258	8	BOLT-CARRIAGE,SST,#10-24 X 3/4"LG
10	104259	4	BOLT-CARRIAGE,CLP HD,SST,#10-24 X 3/4"LG
11	104261	12	NUT-SERRATED FLANGE,HEX,SST,#10-24
12	104267	18	SCREW-HEX HD,THD FORMING,AB,5/16" X 3/4"

SERVICE PARTS LIST

MODEL NO. - 200231

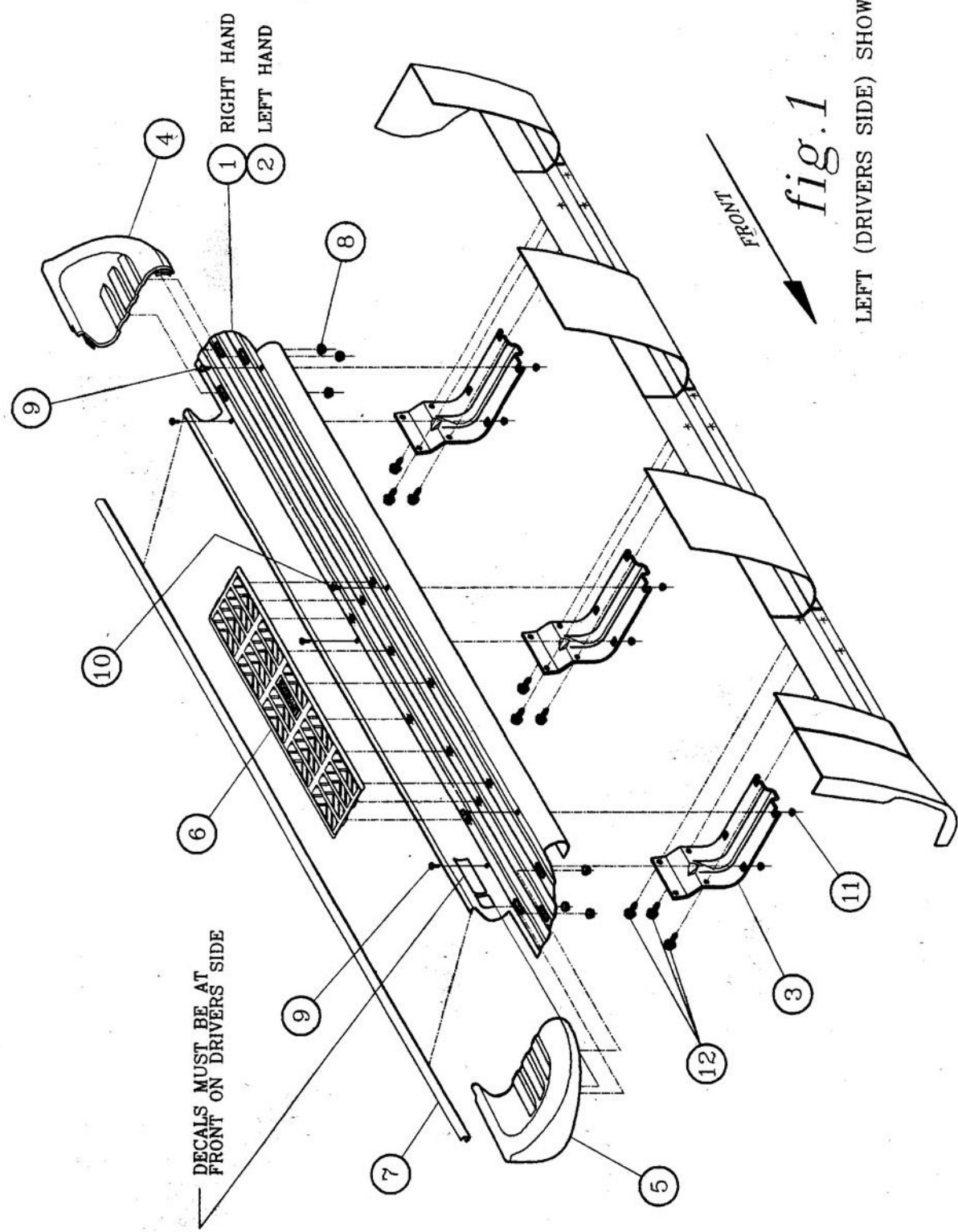


fig. 1

LEFT (DRIVERS SIDE) SHOWN