



Serial No.

ADVENTURER®



OPERATOR, PARTS, AND INSTALLATION MANUAL

BX7322

ADVENTURER® Tow Bar

Class III (5000 lb) 2 Inch Ball Coupler

SAFETY

DO NOT INSTALL, OPERATE OR USE THIS EQUIPMENT UNTIL THE FOLLOWING OPERATING AND SAFETY INSTRUCTIONS HAVE BEEN READ AND UNDERSTOOD.



This symbol is used to bring attention to safety precautions and instructions. When you see this symbol, be alert and pay attention to all instructions. **YOUR PERSONAL SAFETY IS INVOLVED.**

1. Blue Ox Tow Bars should be used with cars designed or modified to be towed.
2. Set the transmission for towing according to the owner's manual. **Verify recreational towing procedures in the vehicle owner's manual.**
3. Unlock the steering wheel for towing to allow the front wheels of the towed vehicle to "track".
4. Be sure the front end of the towed vehicle is properly aligned. Unaligned vehicles will cause poor tracking and abnormal wear on the tires.
5. **The use of safety cables or chains is required by law in some states of the United States and territories of Canada. Check with the states or territories that you plan to travel through prior to your trip. Blue Ox strongly recommends the use of safety cables (BX88196, Class III or BX88197, Class IV) and our permanent baseplate safety cables (BX88207, Class III or BX88208, Class IV) with all applications of towing. Please refer to their specific installation instructions for more information.**
6. Check clearance between vehicles in a turning situation.
7. Rear lighting is required on the towed car. A BX8811 (Wiring Kit), BX8847 (Wiring Kit) or BX8869 (Bulb & Socket) is recommended.
8. Prior to a towing trip, check to be sure all the towing accessories and attachment points are secure. Check for cracked welds and loose bolts or pins on baseplate and tow bar. This is important on all occasions, but particularly on a new installation, when they should be checked just prior to initial towing and again after 100-200 miles of towing.
9. **Do Not Back Up** when towing. Damage to both vehicles and towing system may occur.
10. Avoid sharp turns and rough terrain. Check installation after any unusual event and periodically on a long trip.
11. Do not use the towed vehicle for storing luggage, etc.; you may exceed the towing capacity of the Tow Bar and its accessories.
12. Do not substitute other devices if the pins and clips are lost.

TOW BAR INSTALLATION - EXISTING BLUE OX BASEPLATE

1. Blue Ox Tow Bars are designed for the coupler to be **parallel to the ground** when it is attached to both the towed and towing vehicles. **If the Tow Bar coupler is at an angle, damage or an accident could occur.**
2. Adjust the coupler for proper fit to the ball (See Figure 3). For added security, place a lock, pin or bolt through the hole provided in the coupler locking lever.
3. Position the Tow Bar with its tabs aligned inside the baseplate tabs and insert the 1/2" pins. Insert quick pin clips into the pins to hold them in position. (See Figure 2)
4. Center the coupler with the tow bar legs, (See Figure 4) and tighten the four coupler bolts completely. The leg width may be adjusted to no less than 16" to not greater than 34". Check that the hex bolts are snug but not so tight as to bend the tow bar attachment lugs. After a few hours of use and periodically thereafter check all bolts for tightness.
5. **DEALER OR INSTALLER: BE CERTAIN USER RECEIVES INSTRUCTION SHEETS.**



CAUTION: As with any mechanical product, care should be taken during installation and operation, to prevent your fingers from being pinched.



WARNING: Ensure that your towing vehicle is of adequate size to properly control your towed vehicle. The weight and braking capacity should be large enough to handle both vehicles in an emergency situation. Check your towing vehicle manufacturers recommendations for towing, hitch load, and braking capacities. The hitch, ball, motorhome chassis, and safety cables (each individual cable) need to be rated at a minimum for the weight of the vehicle being towed.

SAFETY CABLE INSTALLATION

SAFETY CABLE INSTALLATION

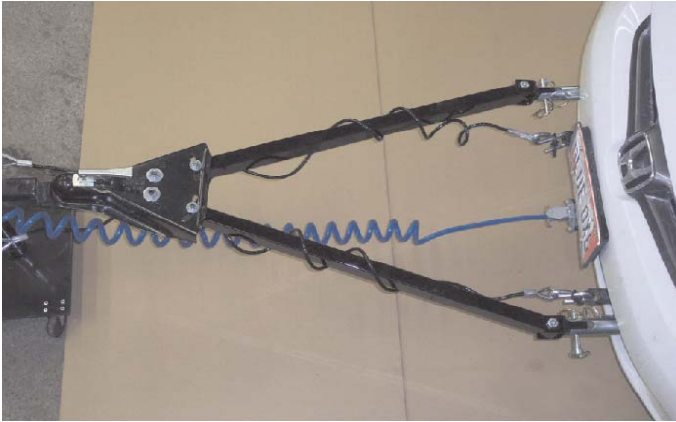


Fig. 1



Fig. 2

COUPLER FIT ADJUSTMENT



Fig. 3

1. Using a 3/4" socket or wrench, tighten or loosen the nut until firm contact between coupler and ball is established. Perform adjustment when the coupler is in locked position. (Note: Bottom of coupler is shown above in Fig. 3)

2. Check ball to housing tension periodically and tighten if needed.

REFER TO #4 ON PAGE #2 FOR INFORMATION TO TIGHTEN 4 COUPLER BOLTS

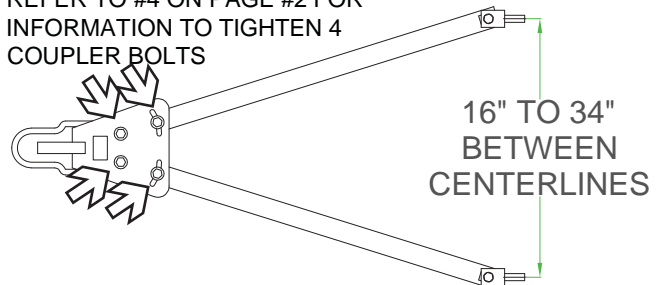


Fig. 4

1. Arrange the cables in an "X" pattern below the tow bar and make one or two wraps around the tow bar legs if needed. (See Figure 1)
2. Solidly connect the cables to the chassis of both the towing and the towed vehicles or baseplate convenience links if available. Insure the rubber keepers are in place. (See Figure 2) **NOTE:** Permanent chains will need to be installed between the convenience links and the towed vehicle's frame if the links are to be used.
3. Do not allow too much or too little slack in the cables.
4. If BX88196 cables are not used, be sure each cable or chain used has at least the load rating of the coupler.

REPLACEMENT PARTS

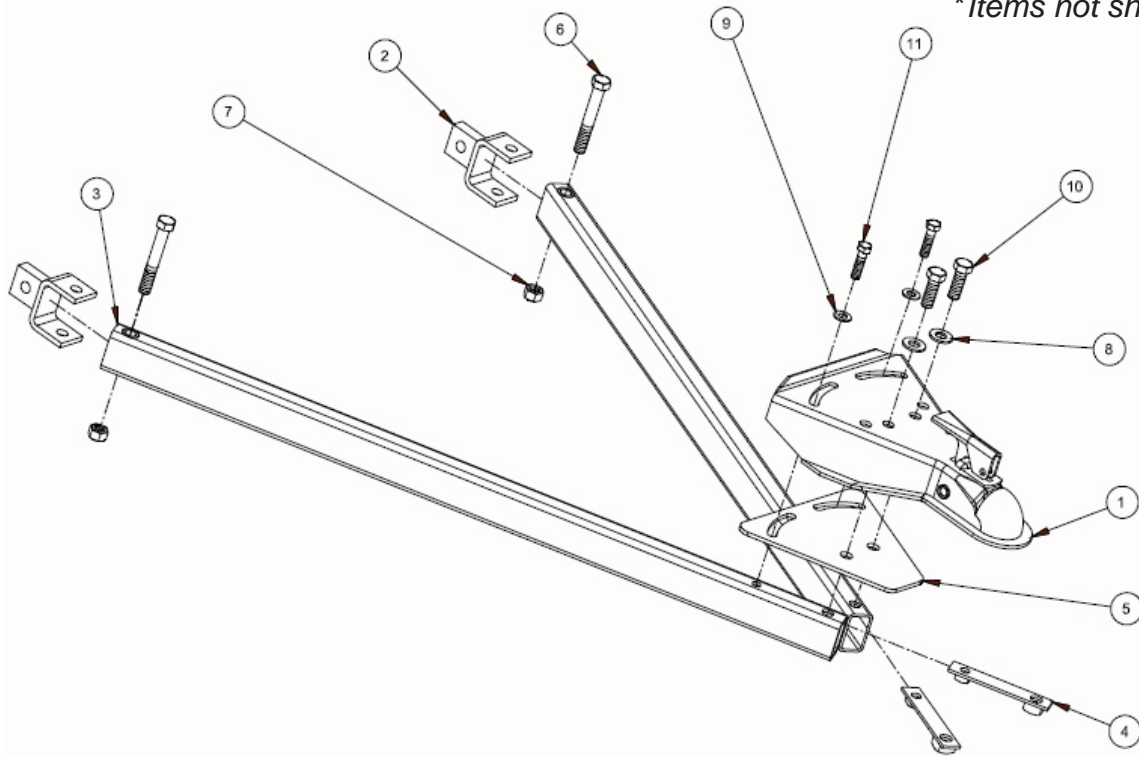
Tools Required

3/4" Socket 3/4" Wrench 9/16" Socket or 9/16" Wrench

Parts List

Ref. No.	Qty.	Part No.	Description
1	1	229-066950 Deg. Ball Coupler, BX7322
2	2	61-3426Wldm't, Tow Bar Attachment Lug
3	2	61-6001Wldm't, Leg, BX7322
4	2	61-6002Wldm't , Nut Plate, BX7322
5	1	101-6595 Plate, Support, BX7322
6	2	201-0369 1/2-13 x 3 1/2 Hex Bolt, Grd. 5, ZP
7	2	202-0094 1/2-13 Hex NYL. INS. Lock Nut, ZP
8	2	203-0156Washer, 1/2, Nord-Lock (1/2 sp)
9	2	203-0155Washer, 3/8, Nord-Lock (3/8 sp)
10	2	201-0051 1/2-13 x 1 1/2 Hex Bolt, Grd. 5, ZP
11	2	201-0440 3/8-16 x 1 1/2 Hex Bolt, Grd. 5, ZP
12*	2	229-0520 Pin, 1/2 x 2 5/8 Eff.
13*	2	84-0001Quick Pin Assembly

**Items not shown*



IMPORTANT: Use only genuine factory replacement parts on your Tow Bar. Do not substitute homemade or nontypical parts. If a bolt is lost or in need of replacement, for your safety and the preservation of your Tow Bar, be sure to use a replacement bolt of the same grade (Usually Grade 5).

Repair parts may be ordered through your nearest Blue Ox dealer or distributor.



Strong As An Ox™

QUICK REFERENCE GUIDE

HOOKING UP FOR TOWING

1. Align vehicles in towing position with straight driveway ahead and parking brakes locked.
2. Place ball coupler on 2 inch ball. Pin legs to attachment tabs.
3. Install safety cables and towed vehicle lighting.
4. Detailed instructions appear on pages 2-3.

UNHOOKING & FOLDING FOR STORAGE

1. Park vehicles in a straight line on level surface. Apply towing vehicle parking brake. Place towed vehicle in park or 1st gear for manual transmissions.
2. Remove safety cables and towed vehicle lighting.
3. Unpin drivers side leg from attachment tabs and repeat on the passenger side. Be careful not to drop the towbar on feet or legs. Replace pins and quick pins into respective holes on the towbar to store for the next use.
4. When unhooking in tight jams, put the vehicle in neutral. Turn the wheels all the way to one side, then all the way to the other and center.

TO BE VALID, THE WARRANTY CARD MUST BE COMPLETED IN ITS ENTIRETY BY AN AUTHORIZED DISTRIBUTOR OR DEALER AND SENT TO AUTOMATIC EQUIPMENT MFG. CO., PENDER, NEBRASKA OR REGISTERED ONLINE AT www.blueox.us. FAILURE TO DO SO WILL VOID THE WARRANTY.

Repair parts may be ordered through your nearest Automatic dealer or distributor.

Product Safety Policy Statement

It is, and shall continue to be, a primary objective of Automatic Equipment Manufacturing Company to provide customers with safe and reliable products. Automatic will, and has, established safety procedures in product design, manufacture, promotion and sales; and will coordinate efforts to promote customer safety to the greatest extent possible. Each department has primary responsibility for the promotion of safety under the guidelines of the Product Safety Committee.



WARNING: Ensure that your towing vehicle is of adequate size to properly control your towed vehicle. The weight and braking capacity should be large enough to handle both vehicles in an emergency situation. Check your towing vehicle manufacturers recommendations for towing, hitch load, and braking capacities. The hitch, ball, motorhome chassis, and safety cables (each individual cable) need to be rated at a minimum for the weight of the vehicle being towed.