

# INSTALLATION INSTRUCTIONS AND PARTS LIST

## MODEL 400751 STEP BRACKETS:

2007 AND NEWER TOYOTA TUNDRA REGULAR CAB PICKUPS



1. READ INSTRUCTIONS COMPLETELY AND CHECK TO MAKE SURE THAT ALL REQUIRED PARTS (LISTED ON SERVICE PARTS LIST) ARE ON HAND BEFORE STARTING THE INSTALLATION.
2. ATTACH THE MOUNTING BRACKETS TO THE VEHICLE USING EXISTING MOUNTING HOLES ON THE INTERIOR WALL OF THE ROCKER PANEL. NOTE: THE BRACKETS MUST BE PLACED IN THE PROPER POSITION, SEE FIG. 1.
  - 2.1. POSITION THE BRACKETS ON THE VEHICLE SO THAT BOTH HOLES LINE UP WITH THE THREADED INSERTS IN THE ROCKER PANEL. ATTACH THE TOP OF THE BRACKET WITH A M8-1.25 X 25MM ZINC PLATED HEX HEAD CAP SCREW, 5/16" FLAT WASHER AND LOCK WASHER (ITEMS #3, #4 & #5). LEVEL THE BRACKETS AND TIGHTEN THE FASTENERS TO 19 LB FT.
3. ATTACHING THE STEP ASSEMBLY:  
PLEASE REVIEW THE INSTALLATION INSTRUCTIONS THAT ARE INCLUDED IN YOUR STEP ASSEMBLY FOR SPECIFIC DETAILS.

## SERVICE PARTS LIST

ITEM	PART NO.	QTY	DESCRIPTION
1	551985	2	BRKT- MTG, STEP,FRNT, TOYOTA TUNDRA
2	551987	2	BRKT- MTG, STEP,REAR, TOYOTA TUNDRA
3	102549	8	SCREW-M8-1.25X25MM,ZP
4	100030	8	WHSR-LOCK, 5/16" ZP
5	100034	8	WHSR-FLAT, 5/16" ZP



(A LIVERNE Company)

1200 E. Birch St.

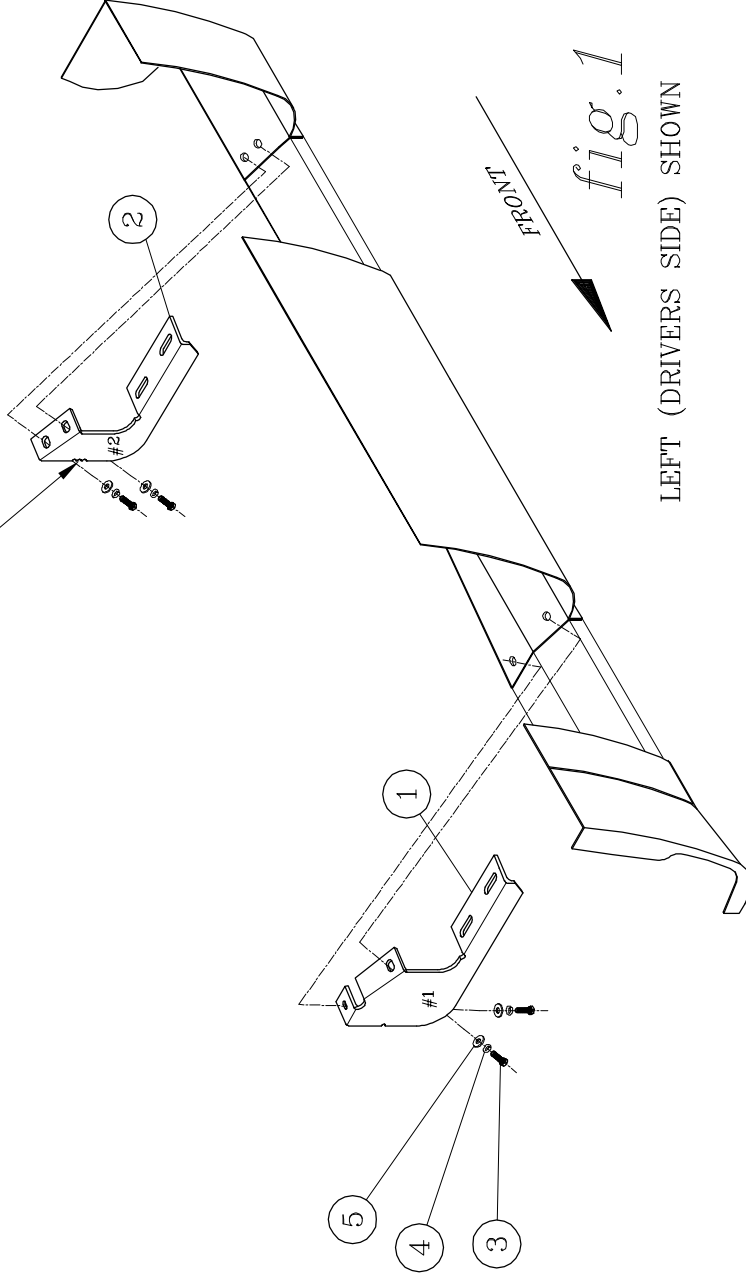
Brandon, SD 57005

551991 SHEET 1 03APR12

SERVICE PARTS LIST

MODEL NO. - 400751

NOTE: BRACKETS HAVE NOTCHES IN THE BACK SIDE EDGE, THE BRACKETS WITH 1 NOTCH GO ON THE FRONT, AND THE BRACKETS WITH 3 NOTCHES GO ON THE REAR.



LEFT (DRIVERS SIDE) SHOWN

fig. 1