

INSTALLATION INSTRUCTIONS AND PARTS LIST

APPLICATION:

**MODEL 400921 STEP BRACKETS:
2004 AND NEWER FORD F-150 REGULAR CAB PICKUPS**

1. READ INSTRUCTIONS COMPLETELY AND CHECK TO MAKE SURE THAT ALL REQUIRED PARTS (LISTED ON THE SERVICE PARTS LIST) ARE ON HAND BEFORE STARTING THE INSTALLATION.
2. EXISTING MOUNTING HOLE PATTERNS ARE LOCATED ON THE PINCH WELD AND INTERIOR WALL OF THE ROCKER PANEL. THESE MOUNTING HOLE PATTERNS MUST BE USED FOR THIS INSTALLATION PER THE FOLLOWING INSTRUCTIONS.
 - 2.1. INSTALL 5/16" MULTI THREAD U-NUTS (ITEM #5) IN THE TOP FRONT HOLE OF THE FRONT PATTERN AND IN THE TOP REAR HOLE OF THE REAR PATTERN AS SHOWN. INSTALL THESE U-NUTS SO THAT THE THREADS ARE TO THE INSIDE OF THE ROCKER PANEL. (THIS IS DONE BY INSERTING THE THREADED HALF OF THE U-NUT THRU THE LARGE ACCESS HOLES AND SLIDING THE U-NUT TOWARDS THE ROUND HOLE UNTIL IT SEATS IN THE ROUND HOLE).
3. ATTACH THE MOUNTING BRACKETS (ITEM #1) TO THE VEHICLE.
POSITION THE BRACKETS ON THE VEHICLE SO THAT THE TOP HOLE LINES UP WITH THE MULTI THREAD U-NUT AND THE HOLE IN THE OFFSET LINES UP WITH THE HOLE IN THE PINCH WELD. ATTACH THE TOP OF THE BRACKET WITH A 5/16" X 1.00" ZINC PLATED HEX HEAD CAP SCREW (ITEM #6) AND 5/16" ZINC PLATED FLAT WASHER (ITEM #7). ATTACH THE BOTTOM OF THE BRACKET TO THE PINCH WELD WITH A 5/16" X 1.00" BLACK PLATED HEX HEAD CAP SCREW (ITEM #2), 5/16" BLACK PLATED FLAT WASHER (ITEM #3) AND 5/16" SERRATED FLANGE NUT (ITEM #4). LEVEL THE BRACKETS AND TIGHTEN THE FASTENERS TO 19 LB FT.
4. ATTACHING THE STEP ASSEMBLY:
PLEASE REVIEW THE INSTALLATION INSTRUCTIONS THAT ARE INCLUDED IN YOUR STEP ASSEMBLY FOR SPECIFIC DETAILS.

TORQUE ALL 5/16" FASTENERS TO 19 LB FT.

SERVICE PARTS LIST

| ITEM | PART NO. | QTY | DESCRIPTION |
|--|----------|-----|---|
| PARTS INCLUDED IN THE BRACKET PACKAGE | | | |
| 1 | 551851 | 4 | MOUNTING BRACKET, BLK, F150, GRIP STEP |
| 2 | 106997 | 4 | SCREW- HEX HEAD CAP, 5/16_18 UNC X 1.00", SST, BZP |
| 3 | 106998 | 4 | WSHR-PL, A, SST, 5/16,.375 ID X .875 OD X .083 THK, BZP |
| 4 | 102680 | 4 | NUT-SERR FLG,HX,SST,WX,5/16-18 |
| 5 | 104264 | 4 | U-NUT- MULTI THREAD, 5/16-18 UNC, STL, BLK |
| 6 | 100647 | 4 | SCREW- HEX HEAD CAP, 5/16_18 UNC X 1.00".ZP |
| 7 | 100034 | 4 | WSHR-PL, A, STL, 5/16,.375 ID X .875 OD X .083 THK, ZP |



(A LUVERNE Company)

1200 E. Birch St.

Brandon, SD 57005

REVISION A 05MAR12
551961 SHEET 1 OF 2 26JUL11

SERVICE PARTS LIST

MODEL NO. - 400921

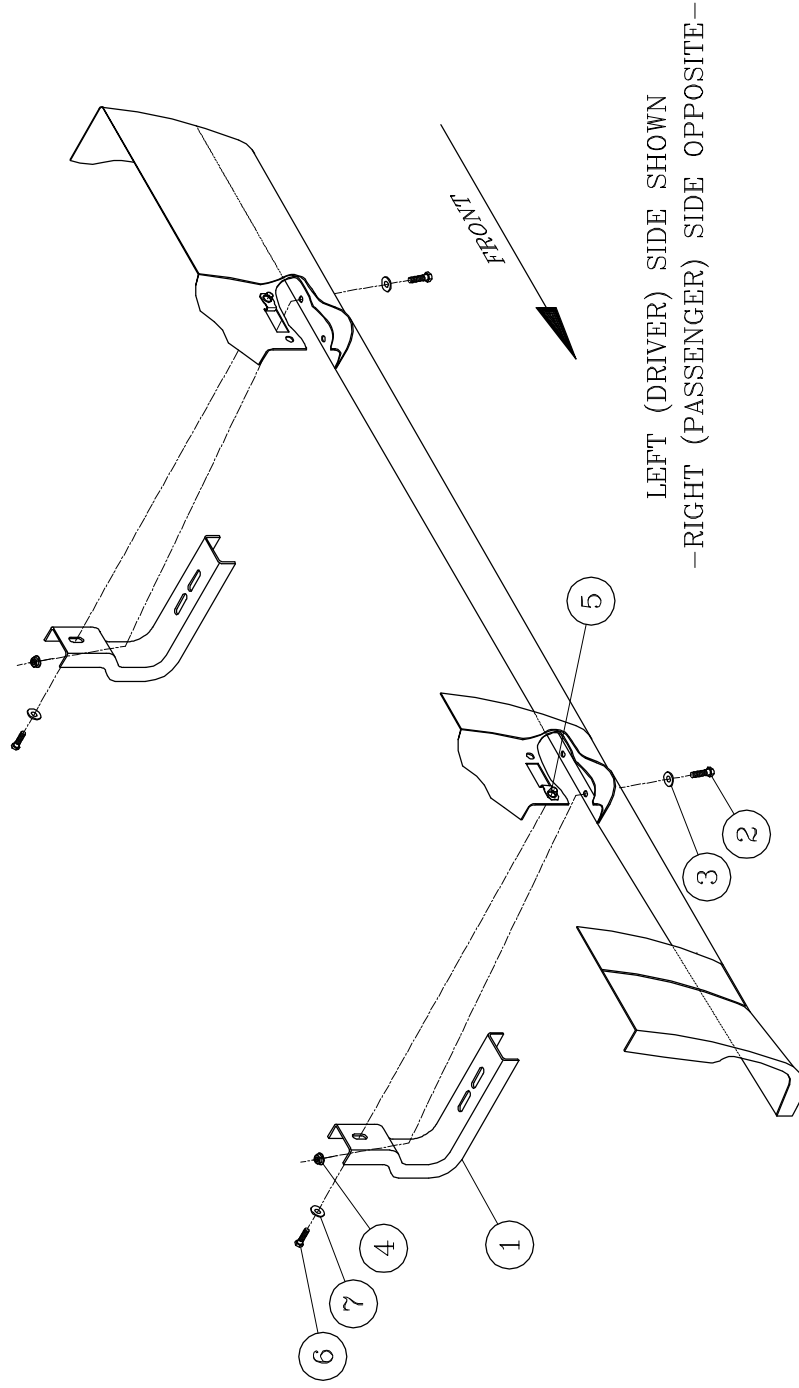


FIG. 1

LOVERNE
VALVE & FITTING CO.
A LOVERNE COMPANY

1200 E. BRUSH ST.
BRANDON, SB 57005