

INSTALLATION INSTRUCTIONS AND PARTS LIST

**APPLICATION: 480633 STAINLESS STEEL SIDE ENTRY STEPS:
2006 AND NEWER DODGE RAM MEGA CAB PICKUPS**

1. Read Instructions completely and check to make sure that all required parts (listed on service parts list) are on hand before starting the installation.
2. Peel away the protective vinyl covering and clean the top of each step plate to remove any vinyl covering residue. (a good glass cleaner is suggested).
3. The step assemblies must be mounted to the pinch weld and inboard vertical surface of the rocker panel per the following instructions.
 - 3.1. From front to rear, remove rubber plugs from the #4, #6 & #8 access holes on the inboard vertical wall of the rocker panel. (Not all truck will have plugs, some will have black tape.)
 - 3.2. Position the step assembly (item #1 thru #11) up under the rocker panel so that the front end cap is just behind the head of the factory bolt on the bottom of the rocker panel.
 - 3.3. Push the step assembly snug up under the rocker panel, level the step plate and clamp the braces (Item #3) to the pinch weld.
 - 3.4. Mark the center of the brace's bottom holes on the pinch weld. Drill a small pilot hole, and then drill a 17/64" dia. Hole thru the vertical wall of the rocker panel at each location.
(Locate these holes as close to the center of the flat portion of the pinch weld as practical.)
 - 3.5. Install 5/16" X 3/4" Thread Forming Screws (item #12). Torque these screws to 15 lb. ft.
Note: It is very important to tighten the lower screws before drilling the upper holes.
 - 3.6. Using one of the upper holes (as shown) in the brace as a pilot. Drill a small pilot hole, and then drill a 17/64" dia. Hole thru the vertical wall of the rocker panel at each location.
 - 3.7. Install 5/16" X 3/4" Thread Forming Screws (item #12). Torque these screws to 10 lb. ft.
Being careful not to over tighten.

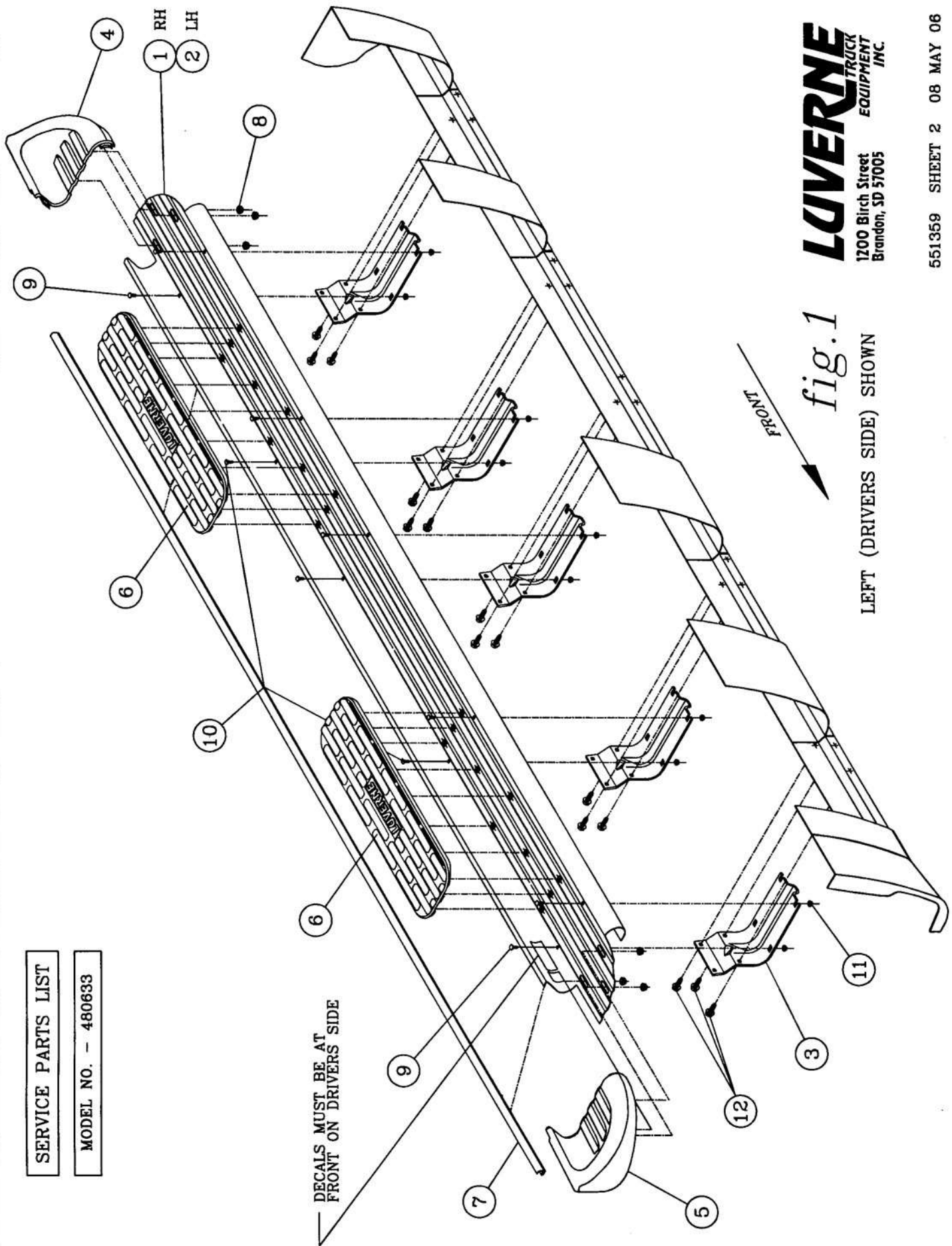
SERVICE PARTS LIST

ITEM	PART NO.	QTY	DESCRIPTION
1	551360	1	STEP PLATE-SES,RH,DODGE RAM,MEGA CAB
2	551361	1	STEP PLATE-SES,LH,DODGE RAM,MEGA CAB
3	550958	10	BRACE-SUPPORT,SES,RH/LH,DODGE RAM
4	104250	2	END CAP-RH FRONT/LH REAR
5	104251	2	END CAP-LH FRONT/RH REAR
6	102600	4	PAD,STEP PLATE,20.00"
7	102502	2	TRIM-SEAL,SES,EXTRUDED, 95.00
8	104257	12	NUT-HEX,SGL SELF THD,CAP WASHER,1/4"
9	104258	16	BOLT-CARRIAGE,SST,#10-24 X 3/4"LG
10	104259	4	BOLT-CARRIAGE,CLP HD,SST,#10-24 X 3/4"LG
11	104261	20	NUT-SERRATED FLANGE,HEX,SST,#10-24
12	104267	30	SCREW-HEX HD,THD FORMING,AB,5/16" X 3/4"

SERVICE PARTS LIST

MODEL NO. - 480633

DECALS MUST BE AT
FRONT ON DRIVERS SIDE



FRONT

fig.1

LEFT (DRIVERS SIDE) SHOWN

LUVERNE
TRUCK
EQUIPMENT
INC.
1700 Birch Street
Brandon, SD 57005